

A2K-FFC-RM

Field Fit Connector

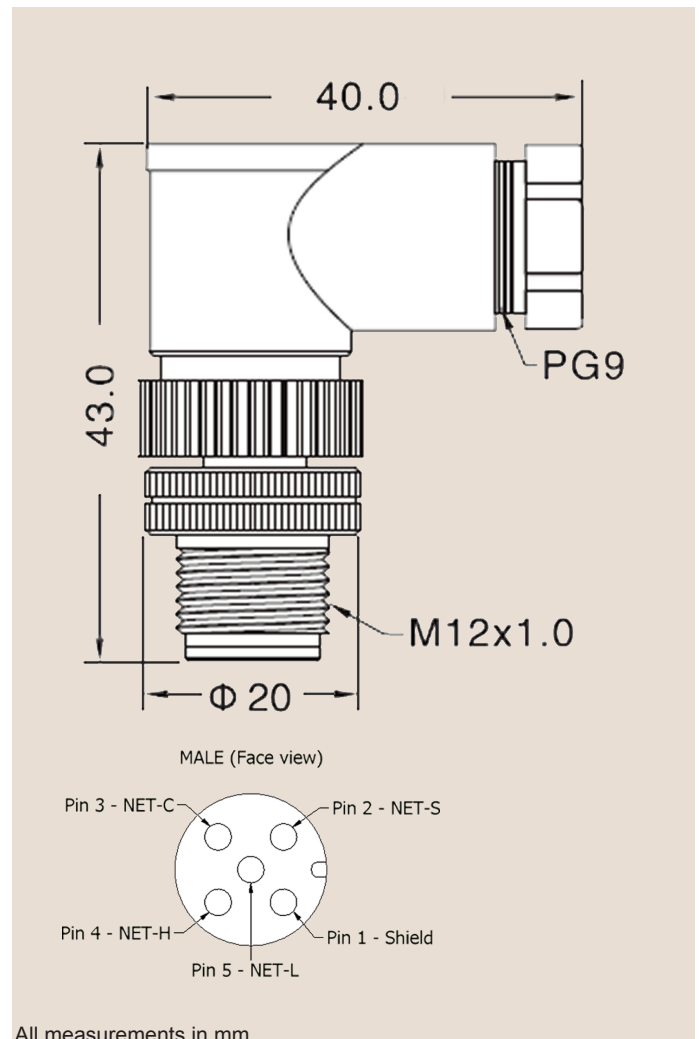
Technical Specifications

Electrical	
Rated Current	4A
Rated Voltage	60V
Mechanical	
Connector Contact	Brass, gold plated
Wire Gauge/Size	22 AWG/0.34mm
Contact Resistance	≤ 5 mΩ
Contact Polarisation	Standard M12 -"A"- polarisation
Mating Thread	M12
Connector Screw	Stainless Steel
Sealing Gland Size	PG9/6-8mm Cable
O-Ring Seal	Rubber, black
Connector Insert	TPU
Connector Body	PA+GF, black
Insulation Resistance	≥ 100 MΩ
Weight	22.3g
Approvals and Certifications	
Protection	IP67 (in locked condition)
Ambient Temperature	-25°C to +90°C
NMEA 2000 Certification	Pending
RoHS Compliant	
IEC 61076-2-101 Compliant	



Connections

Wire Colour	Connector Pins	Name
Green/Bare	Pin 1	Shield
Red	Pin 2	NET-S
Black	Pin 3	NET-C
White	Pin 4	NET-H
Blue	Pin 5	NET-L



Part Number	Description
A2K-FFC-RM	Field Fit Connector - RIGHT ANGLE MALE
	Right angled female and straight (male and female) field fit connectors are available